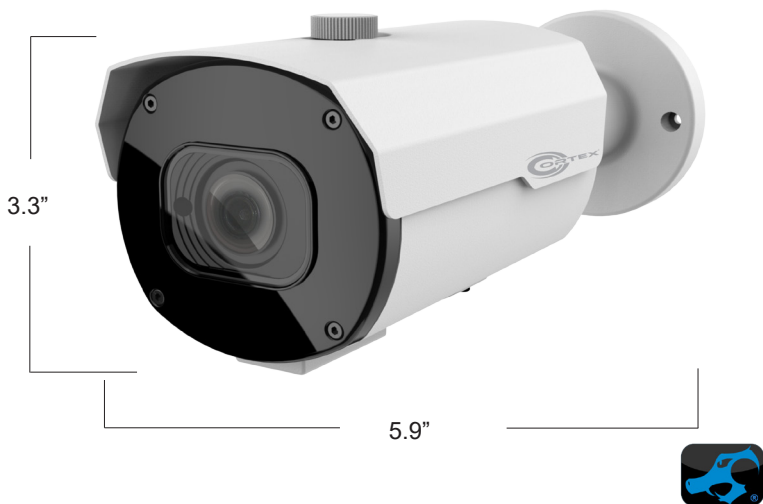


COR-IP5BF

5MP WIDE ANGLE NETWORK CAMERA



SPECIFICATIONS

Resolution	5MP 2592(H)×1944(V)
Image Sensor	1/2.9" Progressive CMOS (6.82M pixels)
Min.Illumination	Color 0.01lux @ F1.2(AGC ON) ; B/W 0 lux @ IR ON
Shutter Time	Auto/Manual 1/5 ~ 1/20000s
Shutter Controls	Active Shutter Controls
Lens	2.8 mm H.FOV: 117°
F-Stop	F 1.6 ~ 2.9 ±5%
Day & Night	Auto switching infrared-cut filter (OSD on/off)
WDR	Digital
Video compression	H.265 / H.264
Video Bit Rate	8Kbps ~ 8Mbps
Video Streaming	3 individually adjustable streams
Frame Rate	Mainstream Up to 15fps 5MP(2592×1944),4MP(2592x1520) 3MP(2048x1520),1080P(1920x1080), 960P(1280x960), 720P(1280x720) Substream 720P(1280x720),VGA(640x480), QVGA(320x240) Mobilestream VGA(640x480), QVGA(320x240)
Image Settings	Image rotate, Saturation, Contrast, Hue, Brightness, Sharpness
BLC	Supported
ROI	Supported
Privacy Mask	Supported

FEATURES

- 1/2.9" Progressive CMOS
- 2.8 mm IR Lens approx. 117° H.FOV
- Premium Components
- Dragonfire® LEDs
- IR Range up to 100 feet
- Metal Housing IP66 Waterproof
- 2592(H)×1944(V) Resolution



AI Analytics	Cross line Detection, Intrusion Detection, Stationary Object Alert, Pedestrian Detection, Face Detection, Cross Counting
Protocols	TCP/IP,IPv4v6,HTTP,DHCP,DNS,DDNS, RTP/RTSP,PPPoE,SMTP,NTP,UPnP,SNMP,HTTPS,FTP
Compatibility	Open Compatibility, API, CortexPlug&Play
Network Interface	RJ45 10M / 100M Ethernet interface
Illumination	18pcs (DragonFire® SMD) LEDs Stealth Infrared Cover
IR Range	Up to 100 feet (30m)
ePTZ	Digital Pan Tilt Zoom
Alarm Trigger	N/A
Audio	N/A
Connectors	Rj45 and 2.1mm power jack
Reset System	Software
SD Card	Internal
PoE	Yes IEEE 802.3af / IEEE 802.3at
Casing	Metal Housing IP66 Waterproof
Power Supply	DC 12V or PoE
Consumption	≤ 7W
Storage Temperature	-30~+60°C (-22~+140°F)
Operating Temperature	-30~+55°C (-22~+131°F)
Dimensions	84 X 150mm (3.3 X 5.9 inches)
Weight	Approximately 1.77 lbs (805g)

COR-IP5BF

