



INNOVATIVE
HIGH DEFINITION SURVEILLANCE



OMNI EZ HD TVI

KEZ-c2SR12

2 Megapixel 1080p HD-TVI PTZ Speed Dome
12x Optical, 10x Digital, IP66, 24VAC

Features

- Superlative HD resolution of 1080p Full HD or 720p HD for amazing image quality and useful digital zoom on live view and playback
 - Field select 1080p30/25 or 720p60/50
- Operation over 'almost any' wire
 - More than 1000 feet on standard RG59 coax
 - More than 1500 feet on RG6
 - More than 500 feet on UTP (one pair from a Cat5e cable, using optional KA-HDBAL passive balun pair).
- Full time NTSC/PAL selectable analog video output
- True day/night operation with automatic ICR module
- Excellent low light sensitivity plus Digital slow shutter (DSS) to improve low light performance *
- BLC & Electronic WDR functions handle bright and unbalanced lighting conditions
- Includes 3D and 2D DNR to improve picture clarity while enabling DVRs to improve disk storage utilization
- Optical zoom magnification of 12X (4.8~57.6mm) for horizontal field of view range from 64.2° ~ 5.9°
- Multiple focus options: continuous automatic, 'one touch' to hold the focus set after movement, and manual
- Optical 12X zoom plus 10X digital zoom in camera for total zoom ratio of 120X
- Fast 360°/sec pan speed quickly reaches any preset position
- Digital auto-flip option to continuously track motion down though the vertical and back up the other side
- Programmable presets, scan zones, patterns, tours, and 'smart' privacy masks, including combinations of functions
- Presets, tours, scans or patterns can be initiated by 4 alarm inputs or after periods of inactivity
- Easy to use OSD setup menu plus on-screen data display with flexible screen position and password protection
- Flexible programming and control Up the Cable or via RS-485 using Pelco-P or Pelco-D protocols
- SD/analog TV Out allows setup, aim and focus using a standard hand held test monitor
- Power Source 24VAC with built in power input surge protection
- Robust environmental performance, operating down to -40 degrees with IP66 weather resistance
- Available accessory wall, pole, corner, ceiling and roof/parapet mounts for flexible installation



OMNI EZ HD TVI

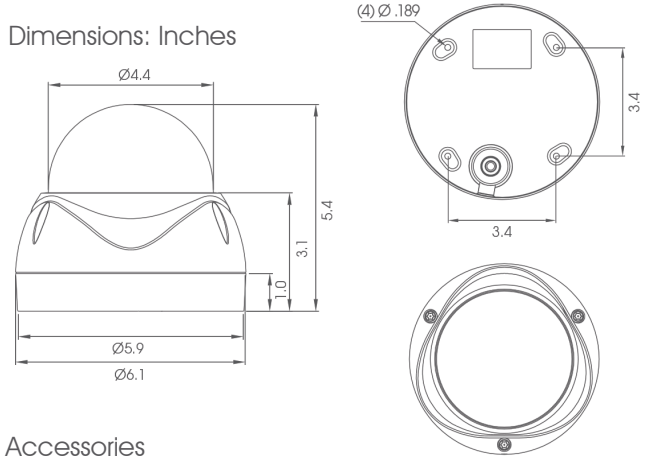
KEZ-C2SR12

2 Megapixel 1080p HD-TVI PTZ Speed Dome
12x Optical, 10x Digital, IP66, 24VAC

| | | | | | |
|-------------------|-------------------------------|--------------------|---|-------------------|--------------------|
| 1080p | True Day/Night | WDR | UTC Up The Cable OSD Control | RS485 | NTSC PAL |
| 24VAC | 12x Optical | 10x Digital | 120x Total | 3D/2D DNR | BLC HLC |
| DSS | CVBS Out | Auto Focus | 360° | Auto Flip | 8 Tours |
| 6 Patterns | 210 Presets | 8 Scans | Smart Privacy Zones | 4 Alarm-in | 1 Alarm-out |
| -40°F | IP66 Weather Resistant | | | | |

| | |
|--|---|
| Pickup Device | 1/2.8" 2.38 megapixel Color Progressive CMOS sensor |
| Pixels | 1944x1224 |
| Minimum Illumination** | DSS Off: 1.0 lux color; 0.5 lux B/W DSS Max: .002 lux color; .001 lux B/W |
| Digital Slow Shutter | Programmable Off or 2X~30X; max 4X recommended |
| S/N Ratio | Max. 50dB |
| Video Format Main Output | EZHD |
| Resolution Main Output | Field select HD1080 or HD720 |
| Video Mode Main Output | Field select 1080p30/25; 720p60/50 |
| Main Output Connector | BNC-F |
| Video Format Test Output | 700TVL CVBS NTSC/PAL selectable |
| Analog Video Output Connector | BNC-F |
| Electronic Shutter | Auto/Manual selectable 1/30(25) ~ 1/50000 sec., Flickerless |
| Lens Focal Length & Angle of View | 12x zoom: 4.8mm wide ~ 57.6mm tele (F2.2~2.3) Vertical:37.5deg(wide), 3.3deg(tele) Horizontal: 64.2deg(wide), 5.9deg(tele) Diagonal: 71.7deg(wide), 6.7deg(tele) |
| Digital Zoom | Up to 10X; optional activation after full 12X optical zoom; 120X total |
| Auto Focus | Choose manual, auto or 'one touch' (holds focus after initial setting following movement) |
| Pan and Tilt Range and Speed | Pan: Speed up to 360°/sec; continuous 360° rotation 180° range (+/- 90°); digital auto flip at bottom for continuous tracking Maximum preset speed 360°/second; manual speed proportional to zoom ratio |
| True Day/Night Control | Yes (Auto IR cut filter removal); Manual select auto, day, night or EXT |
| Digital Wide Dynamic Range | WDR/BLC/HLC selectable |
| Brightness | 1~100 |
| Auto Gain Control | Off, 2~42dB |
| Auto White Balance | ATW/Push/Manual/Indoor/Outdoor |
| DNR | 2DNR/3DNR/Auto |
| OSD Menu | Yes (controlled Up the Cable or via RS-485; optional password protection) |
| OSD Data Display | Select interval and position for optional display of zoom level, camera ID, mode and/or angle |
| Image Flip | Digital auto flip at when camera tilts thought bottom position selectable on/off |
| Presets | Up to 210 positions may be stored; programmable preset speed |
| Auto Scan Zones | Up to 8 auto scan zones |
| Patterns | Up to 6 patterns may be memorized and stored |
| Tours | Up to 8 tours (consisting of presets, patterns and scans) |
| Privacy Zones | Up to 7 'smart' zones that automatically adjust relative position as the camera moves |
| Motion Detection | Off/On |
| Alarm Inputs | 4 NO/NC programmable trigger inputs |
| Alarm Output | Form "C" relay rated at 12VDC/500mA |
| Alarm Actions | Go to preset, pattern, scan or tour; optional programmable duration of 3~60 seconds |
| Other Actions | On inactivity of 1~60 minutes, go to preset position, pattern, scan or tour |
| Security | Password protection for menu system |
| Up the Cable Protocols | Pelco-C, Hik-C (Automatic Protocol Detection) on HD-TVI port |
| RS-485 Protocols Supported | Pelco-P, Pelco D |
| RS-485 Baud Rate | 2400~38,400 |
| RS-485 Addressing | Address range 00~255 |
| Power Supply | 24VAC (+/- 10% nominal) 2.5A capacity recommended (heater on); 1.5A recommended (heater off) |
| Power Consumption | ~1.1A heater off; ~2A heater on |
| Power Input Surge Protection | Built in |
| Dimensions | Ø6.06 x 5.43"(H) (Dome Bubble Ø 4.49) {Ø154 x 138(H)mm (Dome Bubble Ø112)} |
| Weight | 1.5Kg/4.8 pounds |
| Operating Temperature | -40°C~-60°C ; -40°F~-140°F (heater on at 32°F +/- 9°F) |
| Environmental | IP66 weather resistant |
| Mounting Provision | Mounts to ceiling; optional wall arm, corner and pole brackets, parapet and pendant mounts |
| Certifications | FCC, CE |

Dimensions: Inches



Accessories

- KA-WM110 Wall Mount**
 - Extends 10.5" from wall
 - Aluminum construction
 - 1/2" Conduit fitting top & bottom
 - Integral sun/drip shield
- KA-CM110 Pipe Thread Adaptor Cover**
 - 1.5" Diameter
 - Includes Cover & Flange
 - Use with Ka-WPP200, KA-PMB600, KA-CPP200
- KA-WPP200* Goose Neck Mount**
 - Includes base, pipe & back cover
 - Aluminum construction
 - 1.5" diameter steel pipe
 - Fits PTZs & fixed domes
- KA-CMA100 Corner Mount**
 - Fits WPP200 wall mount
 - Aluminum construction
 - Fits outside corners
- KA-PMA100 Pole Mount**
 - Steel Construction
 - 2-Stainless straps 10" Long
 - Min pole dia ~2"
 - Fits WPP200 Wall Mount
- KA-PMB600* Parapet Roof Mount**
 - Includes base, pipe & back cover
 - Stainless steel construction
 - 1.5" diameter | Pipe 35" H" 25
 - Fits PTZ & Fixed Domes
- KA-CPP200* Ceiling Mount Pendant**
 - Includes CM110 Housing
 - Includes base, pipe & back cover
 - 11.8" Long pendant
 - 1.5" diameter steel pipe
 - Fits PTZ and fixed domes

*Shown with KA-CM110